

LYNX

Bottle Fillers

Model 100LX



Efficient and precise bottle filling

The LYNX Model 100LX Feeder Bottle Filler is a manifold type filler designed for filling basket loads of feeder bottles used in the care of laboratory animals. LYNX Bottle Fillers provide uniform water delivery using either manual or automatic controls. Units are designed to accept common bottle basket configurations (24, 25 or 36 position). All LYNX Bottle Fillers are designed for ease of cleaning, low maintenance, and long life.

Standard Features

- Slide Rail Loading
- Adjustable Basket Guides
- Manual Fill Valve
- Interchangeable Header
- Adjustable Leveling Feet
- Integrated Stainless Steel Backsplash
- Uniform Volume Nozzles

Spire at your side

Construction

LYNX 100LX Bottle Fillers are constructed of a sturdy 304 stainless steel tubular design. Filler comes equipped with four leveling legs, an integral stainless steel splash hood, and quick disconnect filler manifold. The individual stainless steel spray jets are positioned to fill bottles of various type and configurations. Additional optional headers available.

Optional Features

- Automatic Operations with AutoFill Valve
- Roller Table Loading (*in lieu of slide rails*)
- DI or RO Water Supply
- Acid Proportioner
- pH Monitoring System
- pH Printer
- Seismic Tie Downs
- 316L Stainless Steel Construction

Accessories

- Additional Fill Header
- Bottle Basket Transfer Cart
- Bottle Baskets

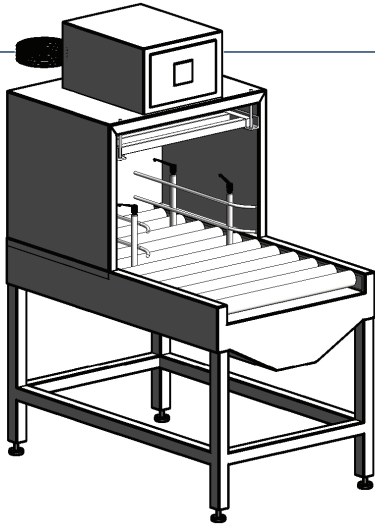
Utilities

Electrical (E)*	Required if Auto Fill option ordered. 120VAC
Water (W)	1" NPT, 35 PSI, $\pm 5^\circ$ F
Drain	1½" Connection

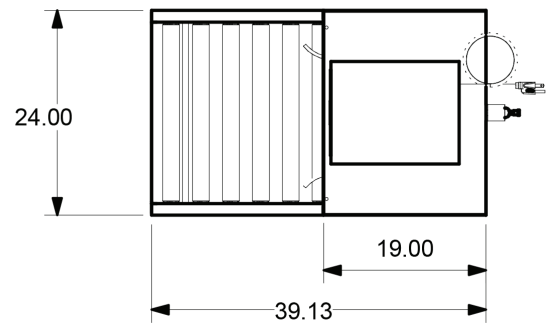
Model	Standard Dimensions W x H x D	Standard Load Length
100LX	24" x 48"* x 41"	38"

*53.5" High with automatic operations control panel.
 Filler can be designed to any basket size or configuration to meet new or existing applications.

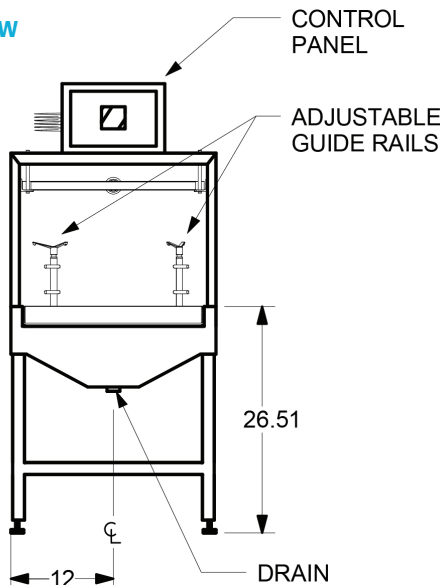
Representative Drawing



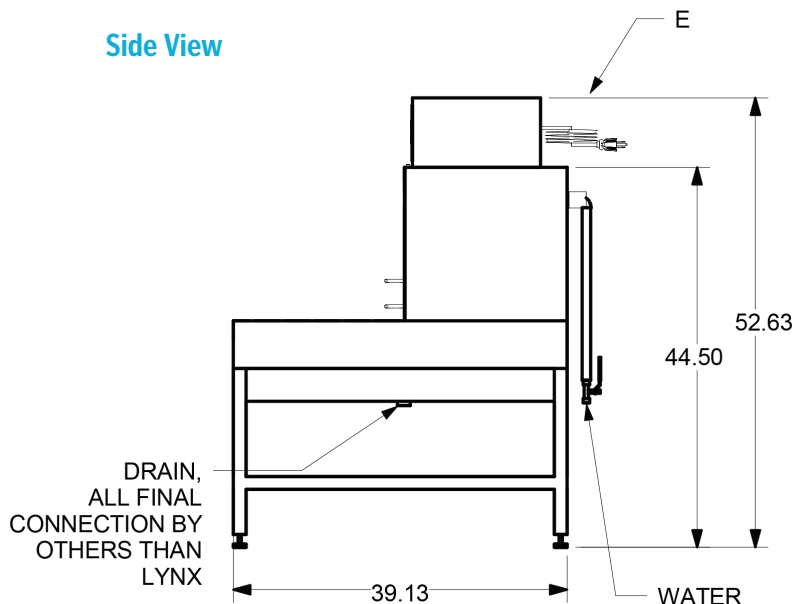
Top View



Front View



Side View



100LX Bottle Filler Sell Sheet_M1046_1.00 2021-0326