

LYNX

Bottle Fillers

Model 110LX



Efficient and precise bottle filling

The LYNX Model 110LX Feeder Bottle Filler is a manifold type filler designed for filling basket loads of feeder bottles used in the care of laboratory animals. LYNX Bottle Fillers provide uniform water delivery using either manual or automatic controls. Units are designed to accept common bottle basket configurations (24, 25 or 36 position). This unit is available with a single or double header filling operation. All LYNX Bottle Fillers are designed for ease of cleaning, low maintenance, and long life.

Standard Features

- Track Slide Rails
- Fixed Basket Guide
- Manual Fill Valve
- Interchangeable Header
- Adjustable Leveling Feet
- Integrated Stainless Steel Backsplash

Spire at your side

Construction

LYNX 110LX Bottle Fillers are constructed of a sturdy 304 stainless steel tubular design. Fillers come equipped with eight leveling legs, an integral stainless steel backsplash, and quick disconnect filler manifold. The individual stainless steel spray jets are positioned to fill bottles of various types and configurations. Additional optional headers or dual header arrangement available.

Optional Features

- Automatic Operations with AutoFill Valve
- Roller Table Loading (*in lieu of slide rails*)
- DI or RO Water Supply
- Acid Proportioner
- pH Monitoring System
- pH Printer
- Seismic Tie Downs
- 316L Stainless Steel Construction
- Dual Head Filling
- Extended Load Lengths

Accessories

- Additional Fill Header
- Bottle Basket Transfer Cart
- Bottle Baskets

Utilities

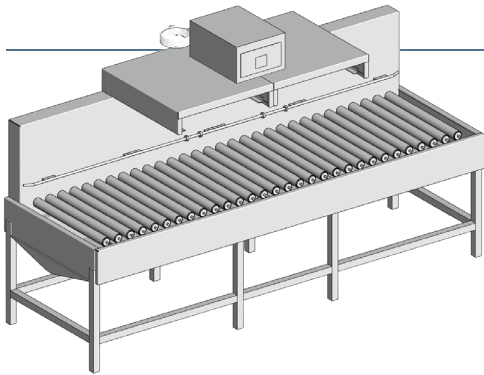
Electrical (E)*	<i>Required if Auto Fill option ordered.</i> 120VAC
Water (W)	1" NPT, 35 PSI, ± 5° F
Drain	1½" Connection

Model	Standard Dimensions W x H x D	Standard Load Length	Opt. Load Lengths
110LX	72" x 58"* x 32"	72"	48", 96"

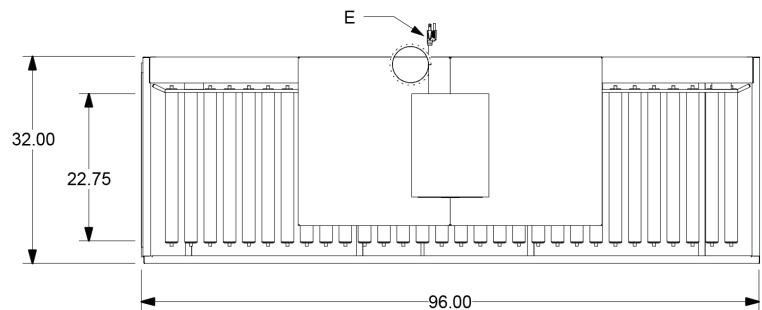
**Dimensions may change with selected options.*

Filler can be designed to any basket size or configuration to meet new or existing applications.

Representative Drawing



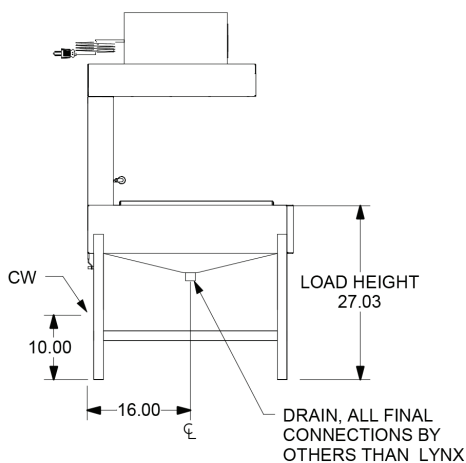
Top View



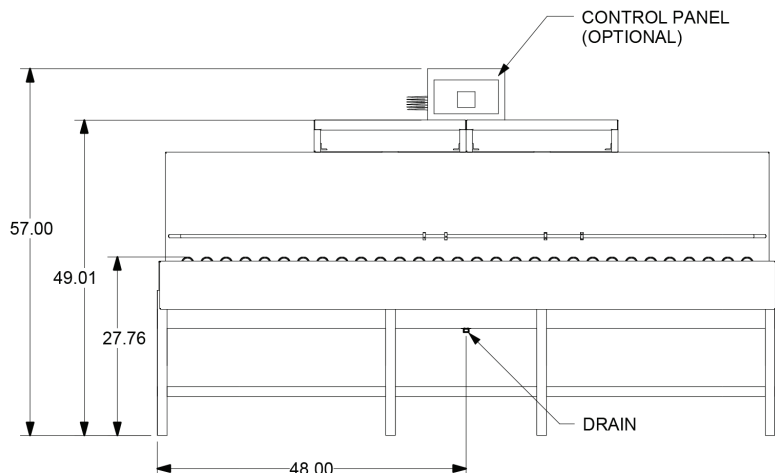
REPRESENTED WITH DUAL HEADER (OPTIONAL)

REPRESENTED AS 96" LONG - OPTIONAL LENGTHS AVAILABLE

Front View



Side View



110LX Bottle Filler Sell Sheet_M1047_1.00 2021-0326