

LYNX

Bottle Fillers

Model 170LX



Efficient and precise bottle filling

The LYNX Model 170LX Feeder Bottle Filler is a space-saver, wall mounted, manifold type filler designed for filling basket loads of feeder bottles used in the care of laboratory animals. LYNX Bottle Fillers provide uniform water delivery using either manual or automatic controls. Units are designed to accept common bottle basket configurations (24, 25 or 36 position). All LYNX Bottle Fillers are designed for ease of cleaning, low maintenance, and long life.

Standard Features

- Wall Mounted
- Automatic Fill Valve
- Interchangeable Header
- Individual Stainless Steel Spray Jets
- Drop-down Header
- Basket Transfer Cart

Spire at your side

Construction

LYNX 170LX Bottle Fillers have all 304 stainless steel construction including piping and components. Units provide individual stainless steel spray jets for more precise filling. Fill header is fitted with gas-filled springs for gentle raising and lowering of the header.

Optional Features

- Selectable Bottle Types
- DI or RO Water Supply
- Acid Proportioner
- pH Monitoring System
- pH Strip Chart Recorder
- 316L Stainless Steel Construction

Accessories

- Additional Fill Header
- Bottle Baskets

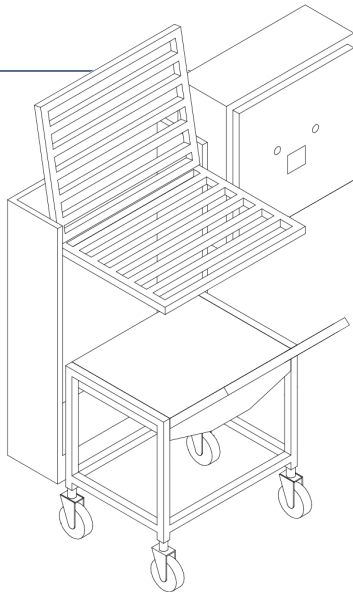
Utilities

Electrical (E)*	<i>Required if Auto Fill Packaged ordered.</i> 120VAC
Water (W)	1" NPT, 35 PSI, $\pm 5^\circ$ F
Drain	1½" Connection

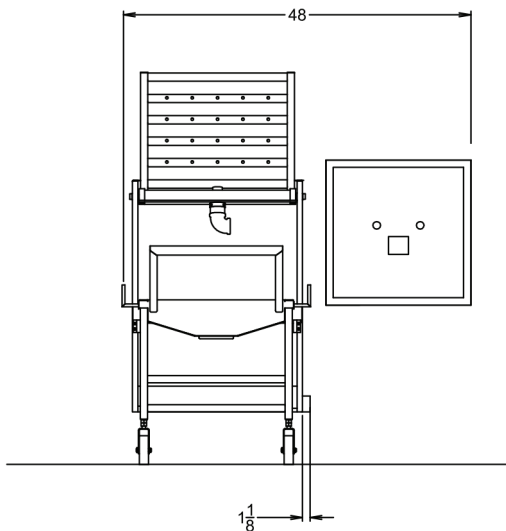
Model	Standard Dimensions W x H x D	Standard Dimensions W x H x D
170LX	<i>No cart/header up:</i> 26" x 54" x 9.75"	<i>Cart/header down:</i> 26" x 42" x 32.13"

Filler can be designed to any basket size or configuration to meet new or existing applications.

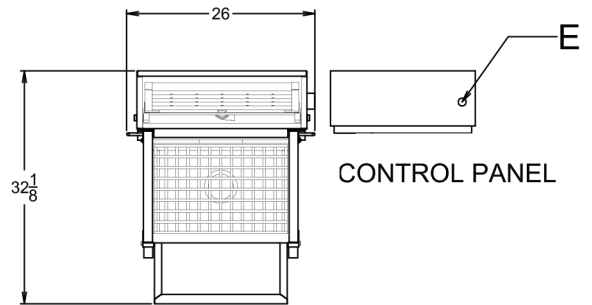
Representative Drawing



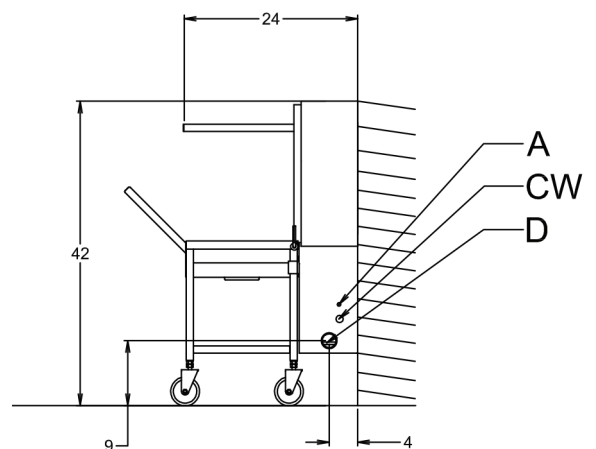
Front View



Top View



Side View



170LX Bottle Filler Sell Sheet_M1048_1.00 2021-0326