

LYNX

Tunnel Washers

Model 524SW



Ensuring efficient cleaning for all your animal care items

The LYNX 524SW Cage Tunnel Washer is a heavy-duty conveyorized hydro-spray washer designed to clean and dry caging, lids, feeder bowls, bottles and other items used in the care of laboratory animals. The 500 Series Washers are available in 7 different belt widths, maximizing cage processing time and efforts. Flexible design is available with a wide array of options and configurability to meet customer's specific requirements. LYNX standardizes use of non-proprietary parts on all equipment.

Standard Features

- Splash Proof Access Doors
- 2-10 FPM Conveyor Drive Motor
- Integral Unitized Construction
- Removable Spray Headers Upper and Lower Jet Manifolds
- Stainless Steel Flat Wire Conveyor Belt
- Personnel Safety Features
- Automatic Control System
- PLC Control System with Full Color HMI Touch Screen
- Configurable Cycles
- Automatic Water Level Control
- Basket Screen
- 180° F Recirculated Temperature Guarantee
- Insulated Construction
- Hydraulic Hold-down System
- Incoming Utility Gauges
- SS Recirculation Piping and Components
- Non-proprietary Parts
- Automatic Tank Draining System
- Final Rinse Modulating Steam Valve

Construction

LYNX 524SW Tunnel Washers are built to perform under the most rugged and aggressive environments with robust design and construction. The durable stainless steel belt is manufactured to withstand the weight and impact of heavy bottle wash racks and other large objects requiring processing. The system is designed to minimize water usage by reusing 100% of final rinse water in the prewash and tank

top-off process. Recirculated water is heated by stainless steel steam coils to maintain and achieve guaranteed treatment temperatures. A color touch screen control panel provides a user-friendly interface for selecting, programming, and monitoring cycles.

Optional Features

- Right or Left Hand Services
- Discharge Roller Conveyors
- Integral Data Collection System
- Automatic Drain Discharge Cooldown System
- Low Steam Pressure Package
- Air Compressor
- Printer
- USB Data Collection System
- 7' Double Blower Drying System
- Seismic Tie Down
- Detergent Dispensing Systems
- De-scaling Cycle
- pH Neutralization System
- Bedding Dispenser Signals
- Added Load End Extensions
- Barrier Wall Flange(s)

Accessories

- Modular Walls

Utilities

Electrical (E)	3-60-208/480V, 28HP
Hot Water (HW)	1" NPT, 40-60 PSI, 25-60 GPM @ 120° F ± 5° F (fills only), HW 10-15 GPM continuous
Cold Water (CW)*	1" NPT, 30-60 PSI, 25 GPM @ 50° F ± 5° F
Steam (S)	1 ½" NPT, 40-60 PSI, Dynamic ± 5 PSI, 1500 #/Hr Flow Rate
Condensate (C)	1" NPT (no lift allowed), ¾" NPT (3 required)
Air (A)	¼" NPT, 100-125 PSI, 1-2 CFM Flow Rate
Drain (D)	12" x 12" Floor Sink with 4" Floor Drain, 600 GPM Flow Rate (2 required)
Vent (V)	4" x 16" ID Duct, 600 CFM, ¾" WC SP, Saturated Vapor @ 180° F (3 required)

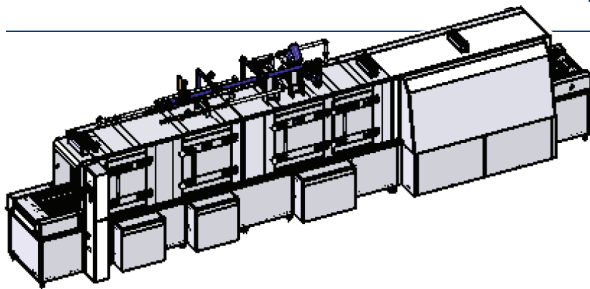
*S2 - Required if optional dryer package is ordered **CW - Required if drain discharge cool-down package ordered

Model	Standard Tunnel Opening - W x H	Standard Unit Size* W x H	Washer Lengths*	Standard Belt Width
524SW	24" x 24"	66" x 73"	15'-28' (with dryer)	24"

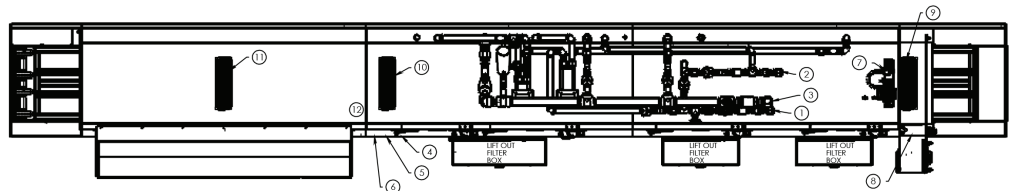
*Washers can be designed to any size to meet your application requirements. Overall size may vary depending on options.

1) 524SW (formerly Scientek SW2524)

Representative Drawings

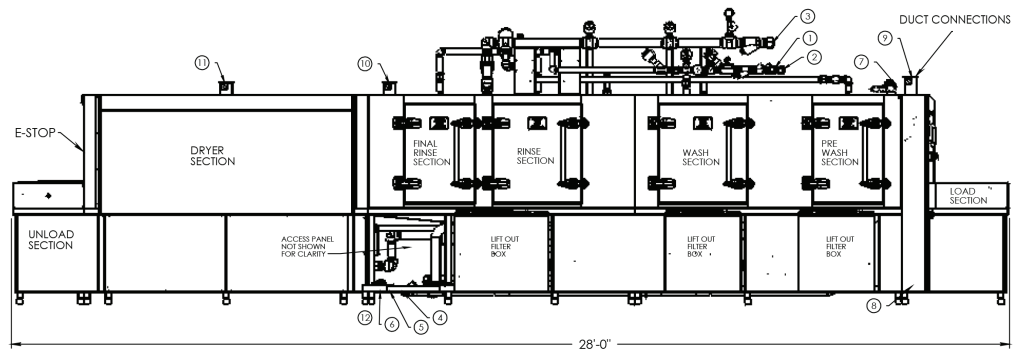
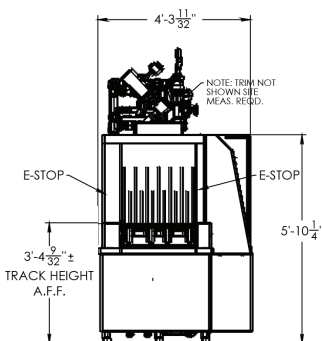


Top View



Side View

Front View



524SW Tunnel Washer Sell Sheet_M1052_1.00 2021-0326