



**CSI/JEWETT**

6910 West Ridge Road, Fairview PA 16415

Phone: 814-474-9353 Fax: 814-474-5797

www.csi-jewett.com

## **Model AR511 Mobile Autopsy Table** **with Model AR512 Dissecting Sink**



The AR512 Dissecting Sink is a basic unit that accepts any **CSI/JEWETT** mobile autopsy table. The AR511 Mobile Autopsy Table (often used with the SR512 Dissecting Sink) allows for pitch adjustment and features a roll-out body tray below for the storage of evidence or personal effects from the deceased.

### **Design Features Include**

#### **Model AR511 Mobile Autopsy Table**

- Offers most of the heavy-duty stainless steel construction and other design features standard with **CSI/JEWETT** mobile autopsy tables to provide superior strength and sanitation plus ease of use and clean up.
- Hand crank to adjust pitch position for positive drainage.
- Roll-out lower body tray below to store evidence/personal effects.
- Shipping weight: 360 lbs. (163 kg).
- Shipping Volume: 87 cubic feet (1.9 cubic meters).

#### **AR512 Dissecting Sink**

- Offers many of the same heavy-duty stainless steel construction and other design features standard with **CSI/JEWETT** Dissecting sinks to provide superior strength, sanitation, plus a complete autopsy work center and easy clean up.
- Shipping weight: 470 lbs. (213 kg).
- Shipping volume: 99 cubic feet (2.8 cubic meters)

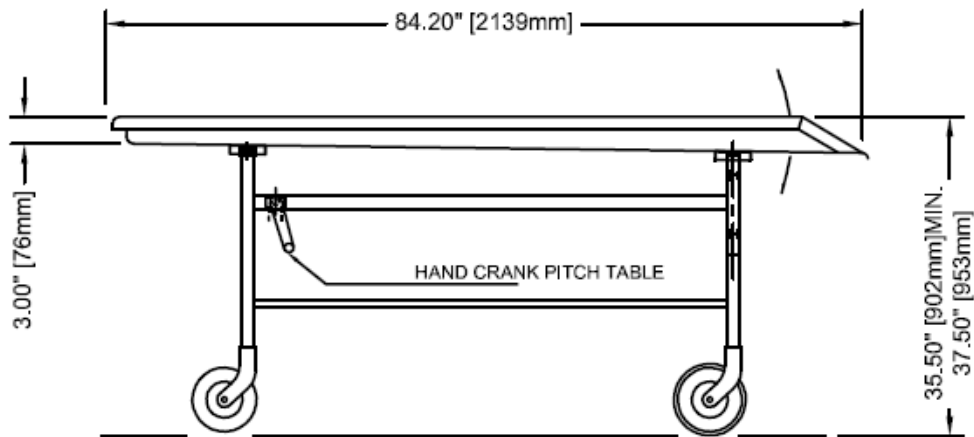
## Available Options

### Model AR511 Mobile Autopsy Table

- Offers most of the options available with other **CSI/JEWETT** mobile autopsy tables to provide enhanced performance.
- Two 14-gauge, 6-inch (152 mm) wide, solid stainless steel sliding body supports.

### AR512 Dissecting Sink

- Offers many of the same options available with other **CSI/JEWETT** dissecting sinks to provide enhanced performance. (NOTE: Dual faucets and ventilation grilles are not available.)
- Concealed structural stainless steel cantilever support brackets for wall mounting



SIDE ELEVATION

AR511 Representative Drawing