

CSI JEWETT

# Autopsy Solutions

## AR647 Series Mobile Immersion Tanks

### Ensuring the right equipment for your autopsy procedures

The CSI Jewett AR647 Mobile Immersion Tank is constructed of welded, sanitary type 304 stainless steel. It is designed for storage and cadaver dissection. When not in use, the cadaver can be raised and lowered with the manual lever mechanism. The tank has large diameter legs and casters with brake and steer functions that provide stability and ease of movement.

#### Spire at your side

The body hold tank and covers are constructed of 16 gauge type 304 #4 finish polished stainless steel. The cover has a full length piano hinge that adds rigidity and support. Cover includes chrome plated handles and hood latches on the legs. The legs and cross bars are fully welded and polished, thick walled stainless steel providing durability and are easily removable for cleaning. The drain has a PVC ball valve and stainless pail hook for fluid collection. Unit includes four (4) 5 inch (152 mm) diameter, heavy duty, rubber-tired, ball bearing casters. Casters provide close ratio turning radius to increase maneuverability in small areas. Casters have locking brakes to prevent table movement.

#### General Specifications

- **Tray lift** with pull lever (AR647) or hand crank (AR647-05)
- **Tray capacity** - 500 pounds
- **Stainless steel construction** - for durability and easy cleanup
- **Body & tank** - 14 ga type 304 welded, polished stainless steel
- **Legs & cross bars** - 1 ½" 14 ga polished stainless steel
- **Tray** - 14 ga type 304 #4 polished stainless steel, perforated for drainage



Hood latch & accessory post holder



Lever handle for tray raising and lowering

## Options

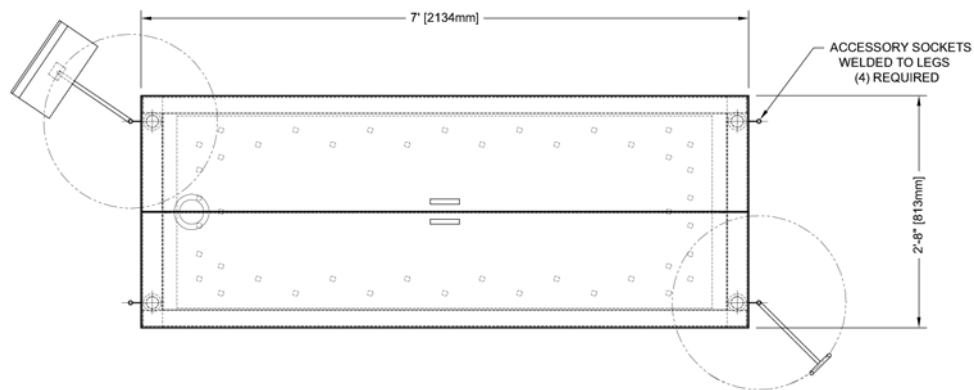
- Book holder
- Leg stirrups
- Collection pail
- Ventilation duct (dry storage only)

To ensure that all of your autopsy procedures have the right equipment to meet your performance criteria, CSI Jewett offers a full range of autopsy tables and sinks that are ideal for hospitals and medical examiner facilities. Visit [SPIRE-is.com](http://SPIRE-is.com) to learn more.

MODEL	Unit Dimensions <i>W x D x H - inches</i>
AR647	84 x 32 x 36 <sup>3</sup> / <sub>16</sub>
AR647-05	84 x 32 x 36 <sup>3</sup> / <sub>16</sub>

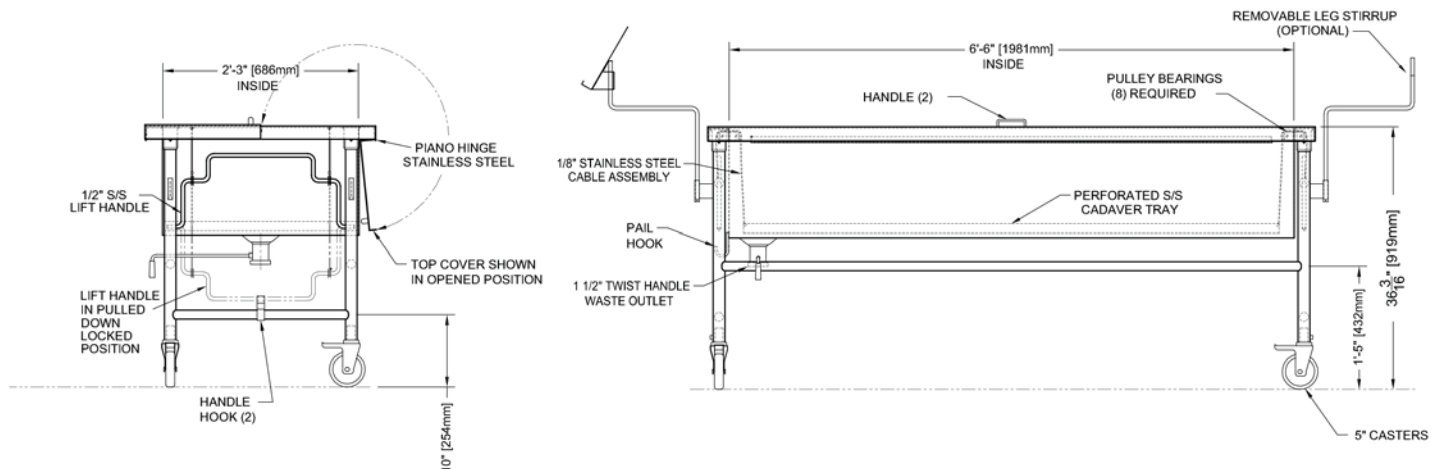
## Representative Drawings

### Top View



### End View

### Front View



AR647 Series Mobile Immersion Tanks Sell Sheet\_M1087\_1.00 2021-1209