

CSI JEWETT

# Pathology Solutions

## AR943 Gross Pathology Sink and Workstation



### Ensuring the right equipment for your pathology procedures

CSI Jewett AR943 Gross Pathology Sink and Workstations (shown with optional base cabinet) are well-suited for tissue preparation, organ dissection, slide preparation, specimen examination and other procedures. Workstations are constructed of welded, sanitary type stainless steel with large radius inside corners for easy cleanup. These durable, economical work stations are the popular and preferred choice of technicians worldwide. The unit has backdraft ventilation with a full-width air vent to help reduce airborne particles commonly found in this area. The AR943 offer a desk approach with a fixed height. The AR943 can easily be configured with sizes and features to meet any facilities needs.

The sink top, basin, drain board, and backsplash are constructed of welded, 14-gauge stainless steel. Drain trough includes flushing system and removable dissection grid plates. Includes large capacity, multi-directional adjustable ventilation grill. Chrome-plated brass faucet has hot and cold water flow control wrist blades and a swivel goose neck spout with integrated vacuum breaker. A lever handle provides waste drain control for the sink (deleted with disposer). Heavy-gauge polished stainless steel legs and welded cross-rails constructed to handle heavy use. Workstations are UL listed.

### General Specifications

- **Backdraft ventilation with full-width air vent** to connect to the building system
- **Top, back, sides and shelves** - 14 gauge type 304 stainless steel, polished on exposed and visible surfaces
- **Stainless steel with large radius inside corners** reduce accumulation of tissue and debris
- **Dissecting grid** - removable, stainless steel



Optional LED magnifying task light



Under work surface rinse bar

## Options and Accessories

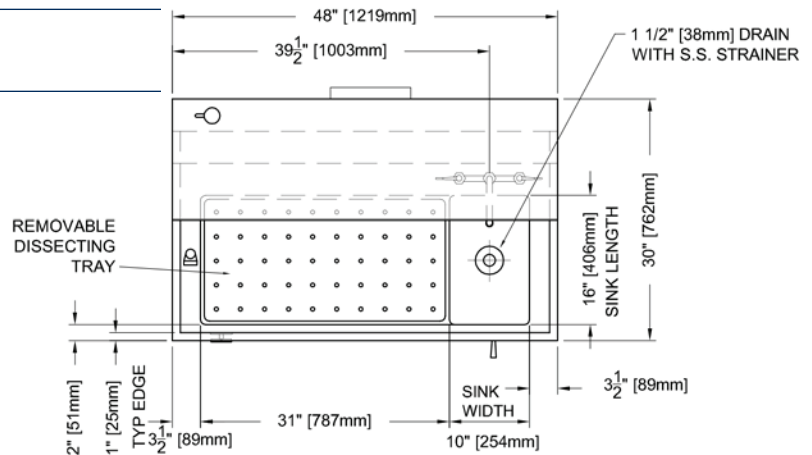
- Elevating height adjustment
- Spray hose with palm operated water control
- Factory installed waste disposer with automatic water control - 1 hp motors are available (others on request)
- Task light with switch - various models available
- Base cabinet
- Flushing system
- GFCI outlet
- Scale bracket
- Emergency eye wash
- Air, gas and vacuum valves (SR2147-02)
- Custom fabrication

To ensure that all of your autopsy procedures have the right equipment to meet your performance criteria, CSI Jewett offers a full range of autopsy tables and sinks that are ideal for hospitals and medical examiner facilities. Visit [SPIRE-is.com](http://SPIRE-is.com) to learn more.

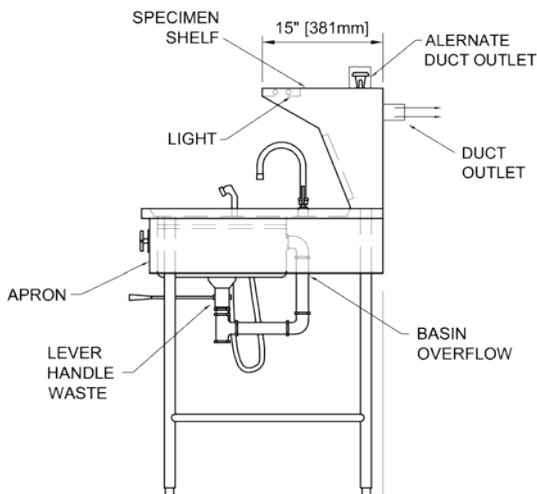
MODEL	Unit Dimensions W x D x H - inches
AR943	48 x 30 x 41
AR943-60	60 x 30 x 41
AR943-72	72 x 30 x 41

## Representative Drawings

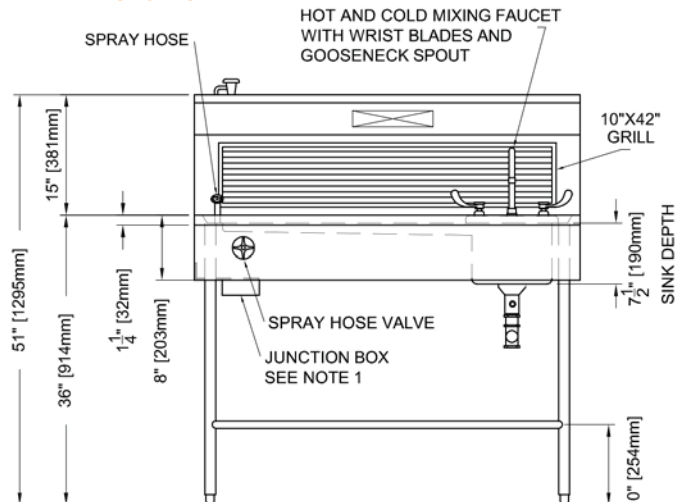
Top View



End View



Front View



AR943 Gross Pathology Workstation Sell Sheet\_M1090\_1.00 2021-1216