
Scientek™

Hospital and Laboratory Equipment



BACKDRAFT DISSECTION TABLE & SINK

The **AR943** Gross Pathology Sink, shown with optional base cabinet, is well-suited for tissue preparation, organ dissection, slide preparation, specimen examination and other procedures. The durable, economical work station is the popular and preferred choice of histologists worldwide. Its full-width air vent helps reduce airborne particles commonly found in this area.

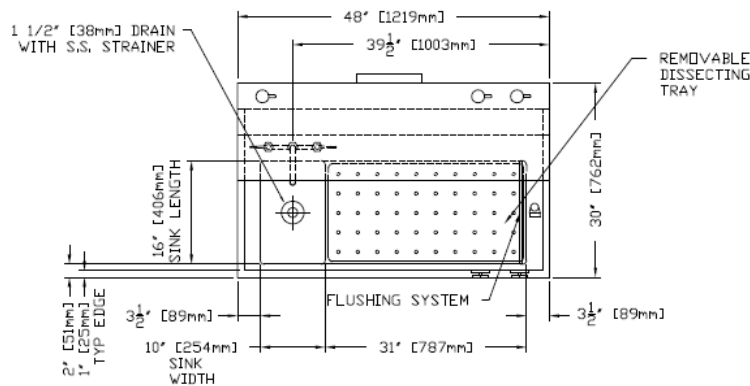
Design Features Include

- Sink top, basin, drain board and backsplash are made of one-piece, welded, 14-gauge stainless steel
- Removable 16 inch x 31 inch (40.6 x 78.8 cm) stainless steel dissecting grid plate, located over the drain trough, with flushing system
- Specimen shelf is made of welded heavy-gauge stainless steel
- Larger capacity 10 inch x 42 inch (25.4 x 106.7 cm) multi-directional adjustable ventilation grill
- Stainless steel spray hose with palm operated water control
- Florescent, vapor-proof light with switch
- Polished surface for easy cleaning
- Wrist-operated, chrome-plated brass faucets with hot and cold water control valves and swivel gooseneck spout
- Lever-handle waste drain control for the sink
- Heavy-gauge polished stainless steel legs and welded cross rails to handle heavy usage

- Welded sanitary Type 304 stainless steel construction with large radius inside corners for easy cleaning.

Available Options

- Base cabinet
- Adjustable height
- Waste disposer
- Scale bracket
- Emergency eye wash
- Air, gas and vacuum valves (SR2147-02)
- Other lengths available



PLAN

