

SCIENTEK

Washer Disinfector Cart & Utensil Washer Series



Meeting the Needs of Healthcare Facilities

The SCIENTEK Cart and Utensil Washer Series are heavy duty, large capacity reliable hydro-spray washers designed for ease of use, minimal maintenance, and highest cleanability of surgical instruments, anesthesia items, basins, pans and utensils for your sterile processing department. These floor loading cabinet washers deliver high performance within a simplistic design. The system is provided with greater flexibility to meet today's "green" initiatives and high throughput demands. SCIENTEK standardizes on non-proprietary parts on all equipment.

Standard Features

- Heavy-duty Hinge Door
- Modular Construction
- Knock-down Shipment
- **Rotating** Spray Delivery System
- Personnel Safety Features
- PLC Control System with Full Color HMI Touch Screen
- 10 Configurable Cycles
- Automatic Self-cleaning Screen
- Temperature Guarantee
- Insulated Construction
- Incoming Utility Gauges
- Interior Illumination
- SS Recirculation Piping and Components
- Non-proprietary Parts

Construction

SCIENTEK Cart and Utensil Washers are provided with heavy-duty stainless steel doors with port view glass windows. Recirculated water is heated by a stainless steel steam coil to achieve guaranteed treatment temperatures. A color touch screen control panel provides a user-friendly interface for selecting, programming, and monitoring cycles. Units are provided with stainless steel treatment pumps.

Optional Features

- **Shallow Base Unit** (6")
- Pit or Floor Mounted
- Pass-thru Unit
- Right or Left Hand Services
- House Hot Water Heat Exchanger
- Integral Data Collection System
- Drain Discharge Cooling
- Automatic Damper
- SS Exhaust Fan
- Low Steam Pressure Package
- Pass-thru Door Interlock System
- Air Compressor
- Printer
- Seismic Tie Down
- Detergent Dispensing Systems
- pH Neutralization System
- Split Base for Special Entry
- Utility Enclosure Panels
- Inclined Floor Grating

Optional Features *cont*

- Barrier Wall Flange(s)
- Devapourmatic System
- Chemical Level Monitoring System
- Direct quick connect cart washing spray option
- Electric Heating In Place of Steam

Accessories

- Internal Drop in Tilt Ramps
- Exterior Load Ramps (*for floor mounted models*)
- Multi-tier Utensil Wash Cart
- Flat Deck Washing System
- Bottle Washing Spindle Cart

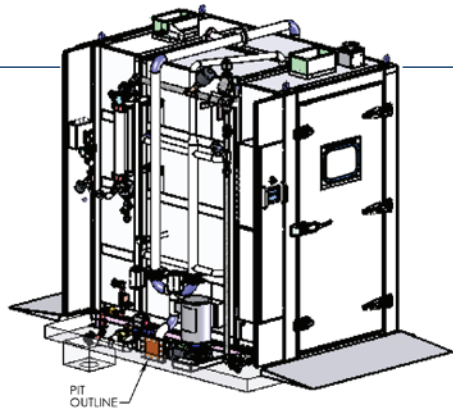
Utilities	All Models	SW6100	SW6400	SW6400L	SW6400WL
Electrical (E)	3-60-208/480V	14HP	19HP	21HP	24HP
Hot Water (HW)	1½" NPT, 35 PSI, 50 GPM @ 140° F ± 5° F	45 Gallon Sump	62 Gallon Sump	75 Gallon Sump	85 Gallon Sump
Cold Water (CW)	1½" NPT, 35 PSI, 50 GPM @ 60° F ± 5° F				
Steam (S)	2" NPT, 45-80 PSI, Dynamic ± 5 PSI	800-1200 #/Hr	800-1200 #/Hr	1200-1800 #/Hr	1200-1800 #/Hr
Condensate (C)	1" NPT				
Air (A)	¼" NPT, 80-100 PSI, 4-6 CFM Flow Rate				
Drain (D)	12" x 12" x 8" Floor Sink with 4" Floor Drain (<i>minimum</i>), 350 GPM Flow Rate				
Vent (V)	12" ID Duct, 750 CFM, Saturated Vapor @ 190° F				

Model	Standard Chamber Size	Standard Unit Size	Pump
SW6100	41" W x 84" H x 80" D 1042 mm W x 2134 mm H x 2032 mm D	55.5" W x 91" H x 84" D 1410 mm W x 2311 mm H x 2134 mm D	7.5 HP
SW6400	48" W x 88" H x 90" D 1219 mm W x 2235 mm H x 2286 mm D	62.75" W x 95" H x 96" D 1594 mm W x 2413 mm H x 2438 mm D	10 HP
SW6400L	48" W x 88" H x 128" D 1219 mm W x 2235 mm H x 3251 mm D	62.75" W x 95" H x 132" D 1594 mm W x 2413 mm H x 3353 mm D	15 HP
SW6400WL	68.5" W x 88" H x 128" D 1740 mm W x 2235 mm H x 3251 mm D	83.25" W x 95" H x 132" D 2115 mm W x 2413 mm H x 3353 mm D	20 HP

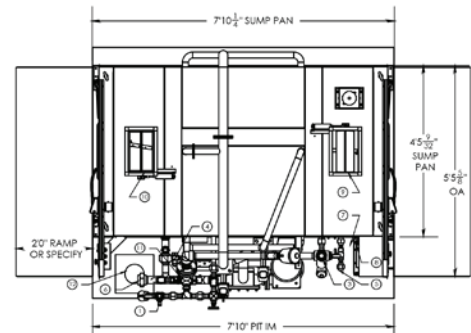
All heights measured from finished floor level

*SW6100 shown below, SCIENTEK will provide other model, mechanical service and installation drawings on request.

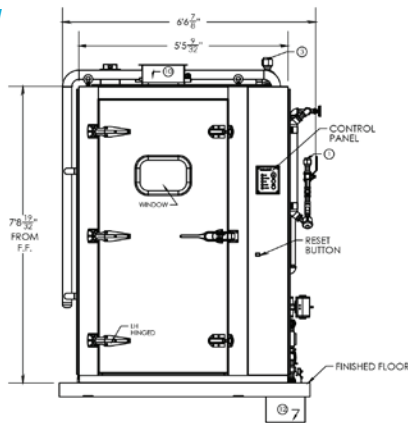
Representative Drawings*



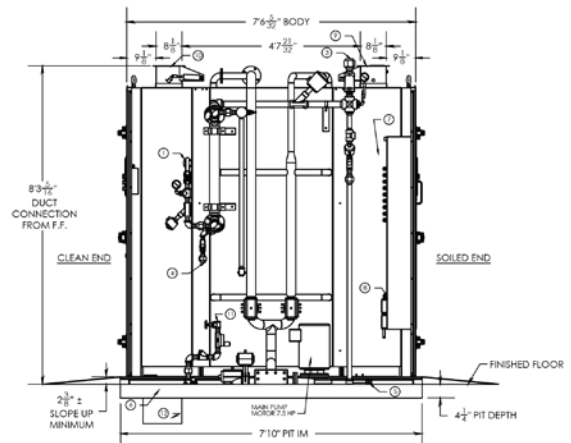
Top View



Front View



Side View



SCIENTEK does not recommend nor imply in any way that SCIENTEK cart and utensil washers be used for the terminal decontamination of any regulated medical device. For processing of a specific material or products, follow the manufacturers recommended cleaning techniques and processes.

Cart and Utensil Washer Series Sell Sheet_M1076_1.00 2021-1014