



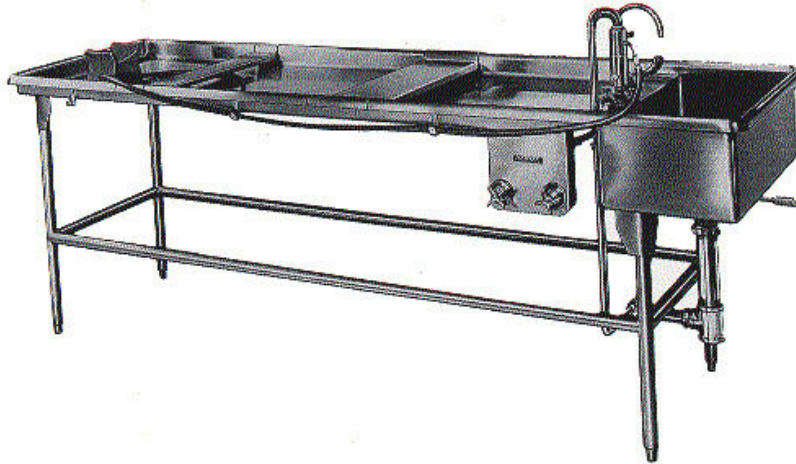
CSI/JEWETT

6910 West Ridge Road, Fairview PA 16415

Phone: 814-474-9353 Fax: 814-474-5797

www.csi-jewett.com

Model D **Deluxe Autopsy Table**



Reference Photo Only

CSI/JEWETT's Deluxe Autopsy Table meets the demands and performance criteria of the autopsy procedure. Its open construction is easily cleaned and sanitized. Offering a large selection of options, the Model D is ideal for hospitals as well as medical examiner facilities.

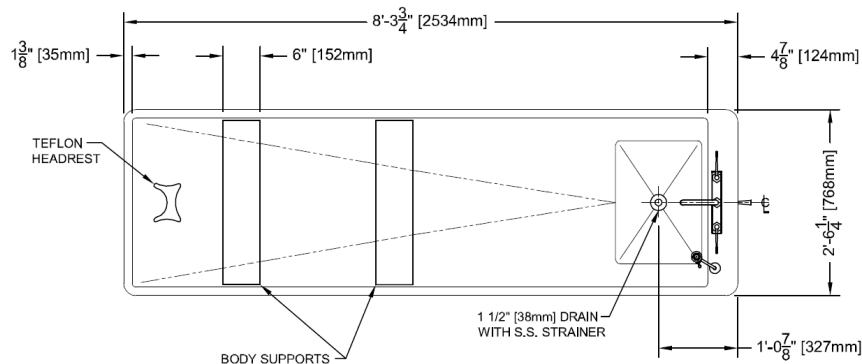
Design Features Include

- **Body and Basin - 14 Gauge Type 304 Welded, Polished Stainless Steel.**
- **Legs - 1 5/8" O.D. 16 GA Polished Stainless Steel**
- **Length-99.75 inches (253.4cm); width-30.25 inches (76.8 cm)**
- **Height set at 35.5 inches (90.2 cm)**
- **Easy access for cleaning under the table**
- **Sanitary, Adjustable Stainless Steel Flanged Type Bullet Feet**
- **Full-width, integral sink (14 inches long by 20 inches wide x 7" deep (35.6 x 25.4cm) with overflow protection and deck-mounted plumbing features**
 - **Center drain with pre-strainer cover and a secondary stand-pipe, basket-type strainer**
 - **Wrist-operated, chrome-plated brass faucet, with hot and cold water flow control valves and swivel goose neck spout**
 - **1.5-inch (3.8cm) Lever handle waste drain control sink**
- **"Reverse-flow" hydro-aspirator with built-in vacuum breaker includes hot and cold water flow control, 10 feet (3.05meters) of PVC hose, hose storage rack and anti-aerosol waste outlet**
- **3/4 inch radius rolled edge provides superior strength to table top and inhibits the collection of fluid or debris on the underside of the table**
- **Welded sanitary Type 304 stainless steel construction with large radius inside corners for easy cleanup**

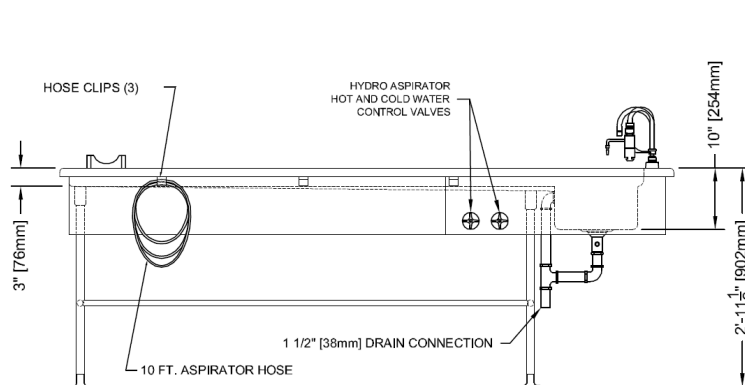
- **Manufactured without crevices, lapped edges, rivets, bolts or other fastening devices so that work surfaces remain smooth and prevent accumulation of bacteria**
- **Two 14-gauge, 6-inch (15.2cm) wide, solid stainless steel sliding body supports.**
- **Adjustable, six-position PVC headrest**

Available Options and Accessories

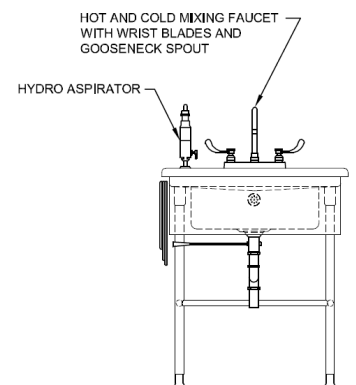
- **Removable perimeter flushing system (SR1092)**
- **Extra-wide stainless steel body supports (6, 12 & 18-inches wide /15.2, 30.5 & 45.7 cm): solid (SR2711S) or perforated (SR2711) surface**
- **Graduated table edge in centimeters or inches (SR1079)**
- **Adjustable bracket for hanging an organ scale**
- **Factory-installed waste disposer with automatic water control**
 - **1/2, 3/4 and 1 hp motors are available (others on special request)**
- **Emergency eye wash**
- **Air, gas and vacuum valves (SR2147-02)**
- **Duplex waterproof electrical GFCI outlet (SR1081)**
- **Spray hose assembly (SR1966)**
- **Double-bowl sink**
- **Stainless steel instrument tray (SR999)**
- **Thermo-plastic cutting board (SR965)**



PLAN



FRONT ELEVATION



END ELEVATION