

CSI JEWETT

Autopsy Solutions

Model DEM Dyna-Poise Autopsy Table



Ensuring the right equipment for your autopsy procedures

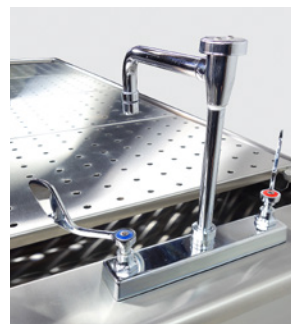
The CSI Jewett DEM Dyna-Poise Autopsy Table is used for the autopsy procedure while organ dissection is done on an adjacent dissecting sink. Down-draft ventilation, rotating table top and electro-mechanical height adjustment features make this table ideal for teaching and demonstrations, confined rooms, varying work heights and special autopsy procedures such as decomposition. DEM Autopsy tables are constructed of welded, sanitary type 304 stainless steel with large radius inside corners for easy cleanup. Manufactured without crevices, lapped edges, rivets, bolts or other fastening devices, the table work surfaces remain smooth while preventing accumulation of bacteria. A 3/4 inch radius rolled edge provides superior strength to the table top and inhibits the collection of fluid or debris on the underside of the table which has easy access for cleaning.

Spire at your side

The top of the table rotates 180 degrees in either direction and features a convenient swivel lock. The faucet is wrist-operated with a chrome-plated brass faucet, providing hot and cold water flow control valves and a swivel goose neck spout. A center drain with pre-strainer cover and a secondary stand-pipe, basket type strainer is included. The DEM has a table flushing system that includes hot and cold water control valves. Units are NTRL Listed to UL 61010-2.

General Specifications

- **Table height adjusts 6"** (from 33.25" to 39.25") with easy push-button height controls
- **Down-draft ventilation system** - double-cone style
- **Reverse-flow hydro-aspirator with built-in vacuum breaker** - hot and cold water flow control, 10 feet (3.05 meters) of PVC hose, hose storage rack, anti-aerosol waste outlet
- **Sliding body supports** - (2) 14-gauge, 6-inch (152 mm) wide, solid stainless steel
- **PVC headrest** - adjustable, six-positions
- **Body and Basin** - 14 gauge type 304 welded, polished stainless steel



Hydro-aspirator



Double-cone down-draft

Options and Accessories

- Removable perimeter flushing system (SR1092)
- Extra-wide stainless steel body supports - 6", 12", 18" Wide (152, 305, 457 mm) - solid (SR2711S) or perforated (SR2711) surface
- Graduated table edge in centimeters or inches (SR1079)
- Adjustable bracket for hanging an organ scale
- Factory-installed waste disposer with automatic water control - 1 hp motors are available (others on request)
- Emergency eye wash
- Air, gas and vacuum valves (SR2147-02)
- Duplex waterproof electrical GFCI outlet (SR1081)
- Spray hose assembly (SR1966)
- Stainless steel instrument tray (SR999)
- Thermo-plastic cutting board (SR965)
- Custom fabrication

MODEL SPECIFICATIONS

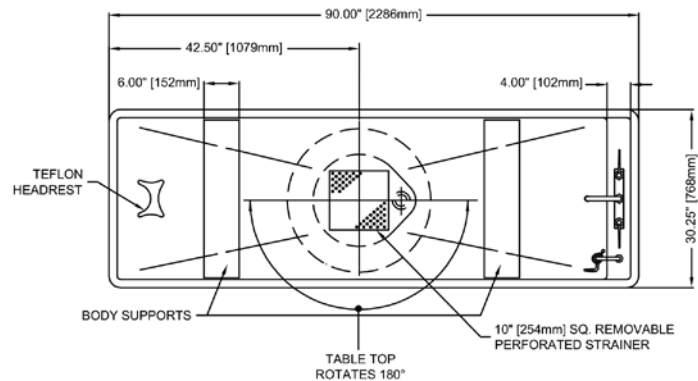
Unit

90" L x 30.25" W x from 33.25" to 39.25" H
2286 mm L x 768 mm W x 845 mm to 997mm H

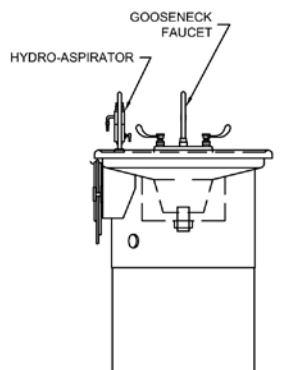
To ensure that all of your autopsy procedures have the right equipment to meet your performance criteria, CSI JEWETT offers a full range of autopsy tables and sinks that are ideal for hospitals and medical examiner facilities. Visit SPIRE-is.com to learn more.

Representative Drawings

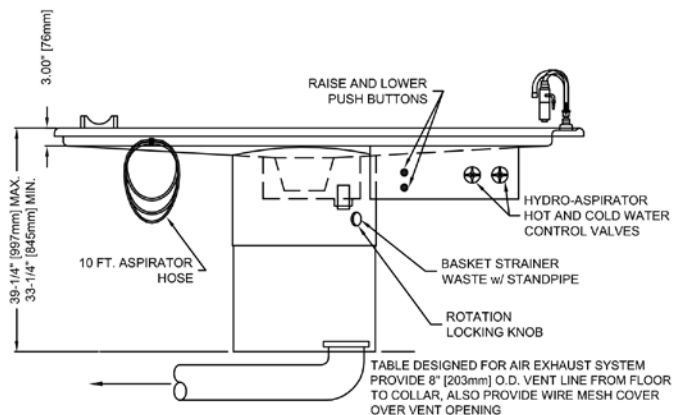
Top View



End View



Front View



DEM Dyna-Poise Autopsy Table Sell Sheet_M1075_1.00 2021-1006