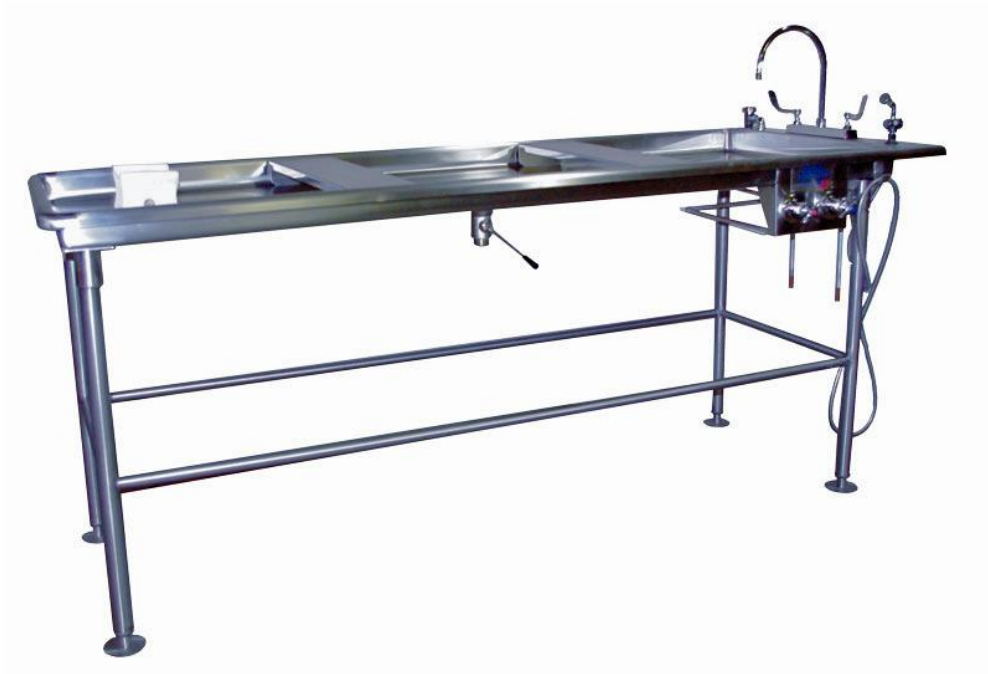


# Scientek<sup>TM</sup>

Hospital and Laboratory Equipment

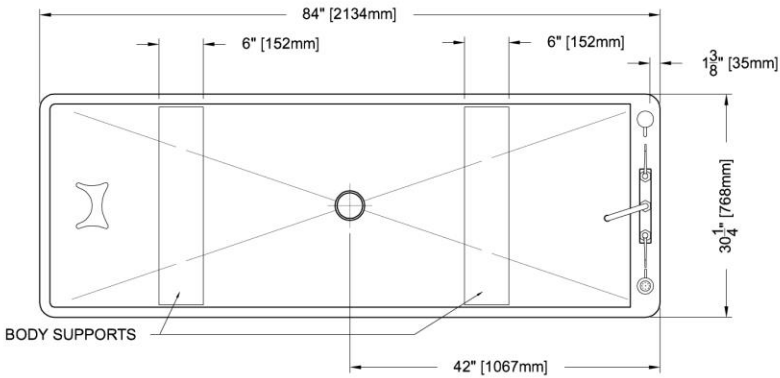
## Embalming Table/Body Wash Station



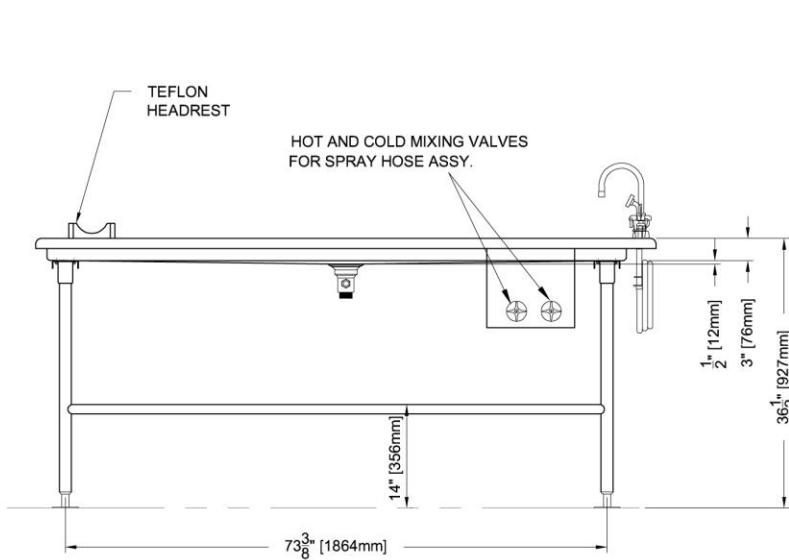
- Table Top - One-Piece 14 Ga. [1.9mm] Type 304, #4 Polished Stainless Steel
  - All Seams Fully Welded And Ground Smooth ,
  - Reinforced By 14 Ga. [1.9mm] Stainless Steel Leg Channels At Both Ends
- Legs - 1 5/8" [41mm] O.D. 16 Ga. [1.6mm] Type 304 Polished Stainless Steel Welded To Sanitary
  - Additional Tubular Cross Bracing Welded To Legs For Extra Rigidity
  - Stainless Steel, Adjustable Flanged Feet
- Plumbing
  - All Exposed Plumbing is Chrome Plated Brass Includes:
    - 1/2" Water Faucet, Swivel Gooseneck Spout, Wrist Operated Handles
    - Stainless Steel Spray Hose with Hot And Cold Water Control Valves
    - Drain - 1 1/2" [38mm] Chrome Plated Brass With Lever Handle Waste
- Body Supports - (2) 14 Ga. [1.9mm] Stainless Steel 6" [152mm] Wide
- Headrest - Six-Position, Adjustable, Teflon
- Shipping Weight - 260 Lb. [118 Kg.] Approximately

**Available Options:**

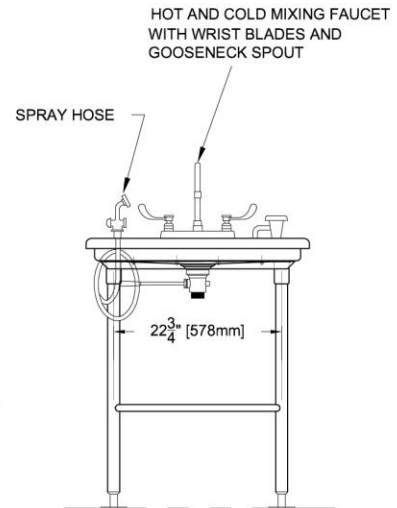
- Side Ventilation System, SR2524
- Removable Flushing System
- Additional or Wider Body Supports



**PLAN**



**SIDE ELEVATION**



**END ELEVATION**



7943A Progress Way  
Delta, B.C. Canada V5G 1A3  
Toll Free: 1-866-321-3828  
Tel: 604-940-8084

Fax: 604-940-8085  
e-mail: [sales@scientek.net](mailto:sales@scientek.net)  
[www.scientek.net](http://www.scientek.net)