

CSI JEWETT

Necropsy Solutions

JNT & JNE Series Necropsy & Grossing Workstations



Ensuring the right equipment for your pathology procedures

CSI Jewett JNT and JNE Series Necropsy Workstations are well-suited for tissue preparation, organ dissection, slide preparation, specimen examination and other procedures. Workstations are constructed of welded, sanitary type stainless steel with large radius inside corners for easy cleanup. These durable, economical work stations are the popular and preferred choice of technicians worldwide. The downdraft work surface helps reduce airborne particles commonly found in this area. The exhaust connection comes with an adjustable damper. The JNT Series is fixed height and the JNE Series offers an elevating work surface.

The sink top, basin, and drain board necropsy workstations are welded, 14 gauge stainless steel in a single piece allowing for seamless and sturdy construction. Drain trough includes flushing system and removable dissection grid plates. Chrome-plated brass faucet has hot and cold water flow control wrist blades and a swivel goose neck spout. A lever handle provides waste drain control for the sink (deleted with disposer). Dual pedestal design conceals mechanicals and provides stability. Work stations are UL listed.

General Specifications

- **Downdraft ventilation exhaust duct with damper** to connect to the building system
- **Top, back, sides and shelves** - 14 gauge type stainless steel, polished on exposed and visible surfaces
- **Fabricated with large radius inside corners** reduce accumulation of tissue and debris
- **Perforated dissecting grid plates** - removable, includes flushing system



Large sink with radiused corners, lever handle spigot



Coiled spray hose

Options and Accessories

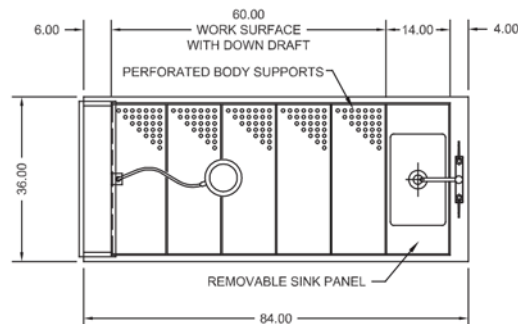
- 316 stainless steel construction
- Elevating work surface (JNE Series)
- Spray hose with palm operated water control
- Factory installed waste disposer with automatic water control - 1 hp motors are available (others on request)
- Task light with switch - various models available
- Left or right sink location
- Base cabinet
- GFCI outlet
- Scale bracket
- Emergency eye wash
- Air, gas and vacuum valves (SR2147-02)
- Custom fabrication

To ensure that all of your autopsy procedures have the right equipment to meet your performance criteria, CSI Jewett offers a full range of autopsy tables and sinks that are ideal for hospitals and medical examiner facilities. Visit SPIRE-is.com to learn more.

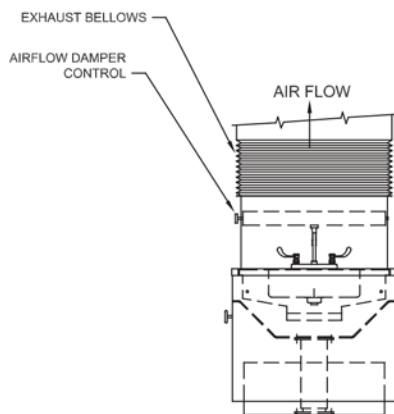
MODEL	Available Unit Widths inches	Available Unit Lengths inches	Height inches
JNT Series	30, 36, 42	48, 60, 72	Fixed - 36
JNE Series	30, 36, 42	48, 60, 72	Elevating - 32-40 range

Representative Drawings

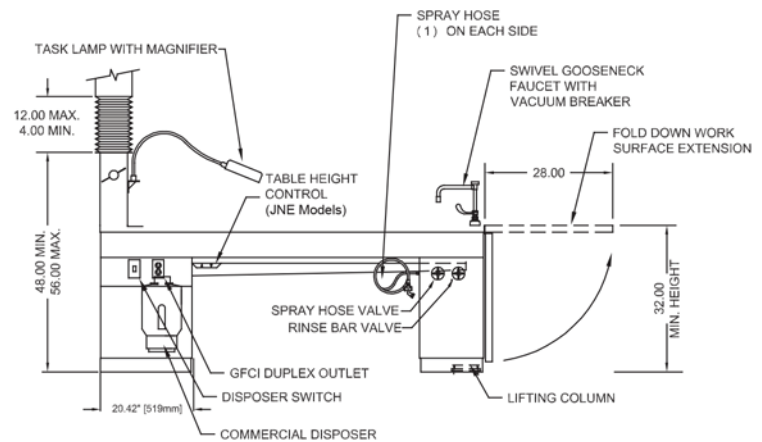
Top View



End View



Front View



JNT3684 shown, contact your representative for other model drawings.

JNT & JNE Series Necropsy Workstation Sell Sheet_M1079_1.00 2021-1103