



SCIENTEK

Glassware Dryers

Models SD8000 & SD9000

Ensuring efficient drying for all your laboratory equipment

SCIENTEK Glassware Dryers offer high speed glassware processing for quick processing. These are companion models to the SW3000 and SW3002 glassware washers. These dryers provide drying of labware items used in research and other types of laboratories including laboratory glassware, instruments, and plasticware. Mating header tracks allow easy transfer of loaded headers from washer to dryer. Additional space is available for bulk drying in the upper and lower portion of the cabinet (SD9000). Dryers feature forced hot air convection, providing uniform heat within the cabinet. SCIENTEK standardizes on non-proprietary parts on all equipment providing maximum uptime.

Key Features

- Digital temperature for precise temperature settings
- Forced hot air drying
- Companion to SW3000 / SW3002 glassware washers
- Mated header tracks allow easy transfer of glassware from washer to dryer
- Stainless steel construction

Construction

SCIENTEK Glassware Dryers have stainless steel construction including the doors - drop down (SD8000) or left hinged (SD9000). Digital temperature controls with display include an illuminated On-Off switch for ease of use. The temperature can be set up to 392°F (200°C) for the SD8000 and up to 240°F (115°C) for the SD9000. The SD8000 can accommodate glassware up to 19 inches high and provides 11 cubic feet of drying space. The SD9000 can dry taller glassware, up to 26 inches, as well as providing a total of 30 cubic feet of drying via three perforated drying shelves.

Optional Features and Accessories

- Adjustable timer with audible alarm
- Temperature lockout capability
- Seismic tie down
- Barrier wall flanges
- Transfer table
- Right or left hinged door

SD8000

- Extended height (25" load clearance)
- Drop down door
- Forced air injection drying
- Additional basket with aluminum wheels

SD9000

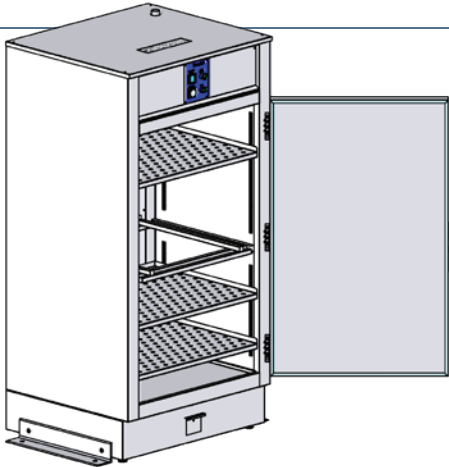
- Steam coil heating
- High temperature oven
- Extra perforated stainless steel drying shelf

Utilities

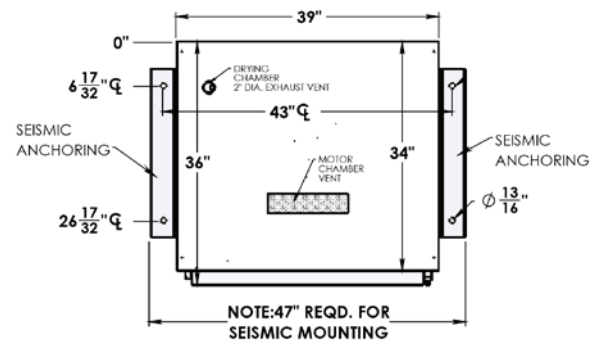
Electrical (E) 3-60-208/480V, 7.5HP

Model	Standard Chamber Size W x H x D	Standard Unit Size W x H x D	Drying Volume
SD8000	26" x 21" x 26"	33" x 74" x 31"	6.8 cu ft
SD9000	33" x 54" x 34"	39" x 79" x 34"	31 cu ft

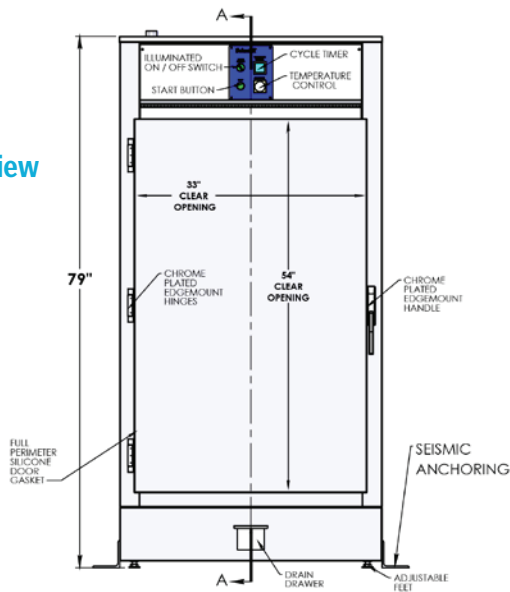
Representative Drawings



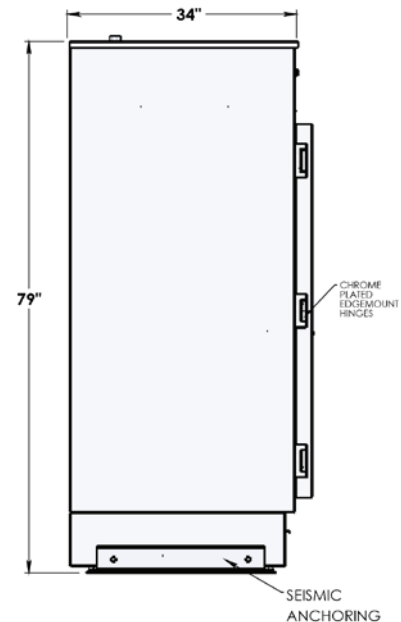
Top View



Front View



Side View



SD9000 Shown, contact your representative for other model drawings.

SD8000 - SD900 Glassware Dryers Sell Sheet_M1083_1.00 2021-1118