

CSI JEWETT

Autopsy Solutions

SR1910 Series Wall-Mounted Dissecting Sinks



Ensuring the right equipment for your autopsy procedures

The CSI Jewett SR1910 Series Wall-Mounted Dissecting Sinks provide one or two large work areas and allows for left or right handed use (depending on model). They are attached with concealed structural stainless steel cantilever mounting brackets. The exclusive CSI Jewett cartlatching system operates from either side of the sink to secure a mobile table to the dissecting sink. Unlike clamp systems, this positive-latch system will not loosen or need adjustment.

CSI Jewett SR 1910 Dissecting Sinks are constructed of welded sanitary Type 304 stainless steel construction with large radius inside corners for easy cleaning. They are manufactured without crevices, lapped edges, rivets, bolts or other fastening devices so that work surfaces remain smooth and prevent accumulation of bacteria. A $\frac{3}{4}$ inch radius rolled edge provides superior strength to the table top and inhibits the collection of fluid or debris on the underside of the table. All models have a one-piece sink with drainboard. They also feature an integral stainless steel backsplash and full-width, 8 inch deep shelf.

Depending on model there are two or four removable, perforated, 16-gauge polished stainless steel dissecting trays. They offer exclusive full-service, cold water flush under the trays to facilitate cleaning, sanitation and rapid waste removal. Each side comes with separate water controls. Large, removable equipment drawer(s) are included with integral handles.

Choose from a variety of mobile autopsy tables and accessories to complete the full autopsy work center.

Additional Features

- Reverse-flow hydro-aspirator with built-in vacuum breaker - hot and cold water flow control, 10 feet (3.05 meters) of PVC hose, hose storage rack, anti-aerosol waste outlet
- Wrist-operated, chrome-plated brass faucet with hot/cold control valves and swivel gooseneck spout
- Heavy-duty, 8-ft. (2.4m) stainless steel spray hose with flow controls; palm operated spray and hose storage rack mounted on the backsplash
- Duplex waterproof electrical outlet with ground fault circuit interrupter
- Lever handle waste drain



Options and Accessories

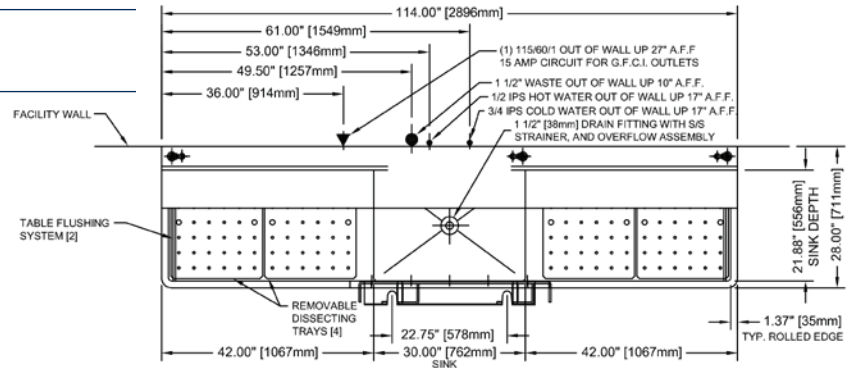
- Heavy-duty, welded stainless steel leg and cross rail assembly (in lieu of wall-mount configuration)
- Ventilation grilles, dual-sided or center configuration (for SR1910-30) | 8" x 10" standard, other sizes available (for SR1910-31)
- Vapor-proof fluorescent lighting on the underside of the shelf to illuminate dissecting area
- Bracket for hanging an organ scale
- Hanging dial organ scale (SR601-1315)
- Hanging digital organ scale (SR601-1)
- Digital scale with shelf-mounted base
- Factory-installed waste disposer with automatic water control - 1 hp motors are available (others on request)
- Emergency eye wash
- Dual faucet assembly with anti-splash features (for SR1910-30)
- Dissecting Board (SR999)
- Elevated dissecting tray (SR2637)
- Serrated nozzle with cold water control for flush system (SR2580)
- Air, gas and/or vacuum valves (SR2124-02)
- 316 stainless steel construction
- Alternate electrical configuration
- Custom configuration



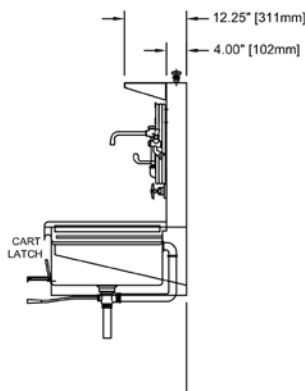
MODEL	Unit Dimensions W x D x H - inches	Sink Dimensions W x D - inches	# of Drainboards
SR1910-30	114 x 28 x 42	30 x 22 nominal	2
SR1910-31	84 x 28 x 42	30 x 22 nominal	1

Representative Drawings

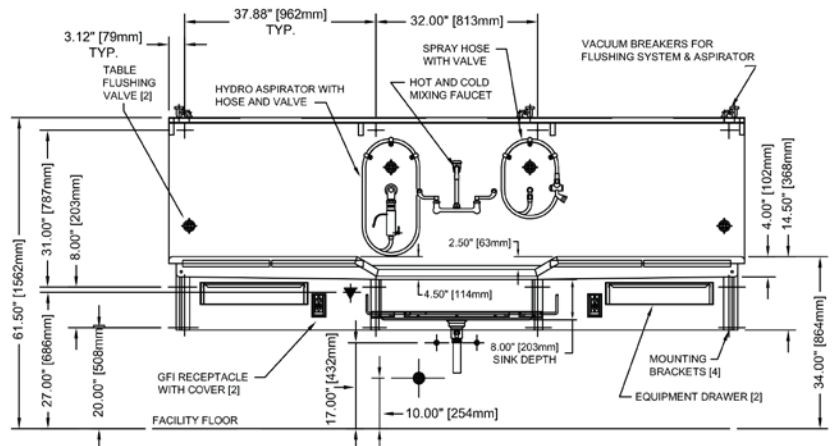
Top View



End View



Front View



SR1910-30 shown. Contact your representative for other model drawings.

SR1910 Series Wall Mounted Dissecting Sinks Sell Sheet_M1060_1.00 2021-0429