



SCIENTEK

Glassware Washer Dryer

Model SW3610GWD

Ensuring efficient washing and drying for all your laboratory equipment

The SCIENTEK SW3610GWD is a heavy duty, reliable hydro-spray washer dryer designed for ease of use with minimal maintenance. These washer dryers provide the highest cleanability of labware items used in research and other types of laboratories including laboratory glassware, instruments, and plasticware. Rotary spray arms located in the top and bottom of the chamber provide complete and consistent coverage. A variety of interchangeable headers fitted with spray arms or spindles connect directly by a quick-lock connection to the washer. Baskets and headers can be pre-loaded before being placed inside the washer chamber. SCIENTEK standardizes on non-proprietary parts on all equipment providing maximum uptime.

Construction

SCIENTEK Glassware Washer Dryers are provided with an all stainless steel door with glass window. Recirculated water is heated by a stainless steel steam coil or electric heating elements to achieve guaranteed treatment temperatures. A touch screen control panel provides a user-friendly interface for selecting, programming, and monitoring cycles. The drying system consists of a blower and a vapor condenser to provide thorough drying. The single chamber system allows for reduced floor space and more efficient glassware and labware processing by reducing the handling of products.

Key Features

- PLC control system with HMI Touch Screen with user configurable cycles
- Insulated construction
- Electrically or steam heated
- Drop down door
- Two chemical pumps for time based dispensing

Optional Features

- Right or left hand services
- House hot water heat exchanger
- Drain discharge cooling - injected
- Devapourmatic System (no exterior exhaust)
- Seismic tie down
- Chemical Level Monitoring System
- Direct DI or pure water final rinse
- Electric drain valve if compressed air not available

Accessories

SCIENTEK washers accommodate 4 accessories per load in any combination. Standard and customizable racks are available.

Spindle Headers ($\frac{1}{4}$ " or $\frac{3}{8}$ " diameter)

- 4 position
- 25 position
- 49 position
- 81 position
- 110 position

Accessories *cont*

Baskets & Covers

- Test tube basket (6" x 6" x 6")
- Test tube basket cover (6" x 6")
- Test tube basket (9" x 9" x 6")
- Test tube basket (9" x 9")
- Open basket (12 ½" x 22" x 6")
- Open basket (22" x 22" x 6")
- Multi purpose basket (12 ½" x 22" x 6")
- Multi purpose basket (22" x 22" x 6")

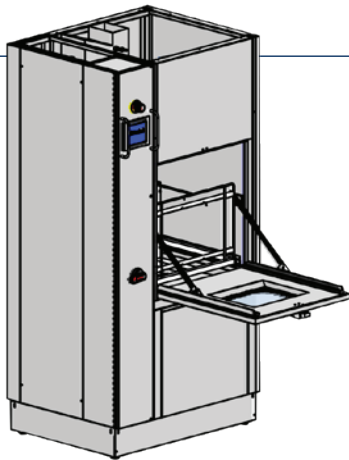
Utilities

Electrical (E)	3-60-208/480V, 25HP
Hot Water (HW)	½" NPT, 30 PSI, 12 GPM @ 120° F ± 5° F (10 gallon sump capacity)
Cold Water (CW)*	½" NPT, 30 PSI, 12 GPM @ 60° F ± 5° F
Steam (S)	¾" NPT, 40-60 PSI, Dynamic ± 5 PSI, 200 #/Hr Flow Rate
Condensate (C)	½" NPT (return to boiler rec.), 1 GPM
Air (A)	¼" NPT, 80-100 PSI, 1 Cubic Foot Per Cycle
Drain (D)	12" x 12" Floor Sink with 4" Floor Drain (minimum), 180 GPM Flow Rate
Vent (V)	12" x 4" ID Duct, 300-500 CFM, Saturated Vapor @ 190° F

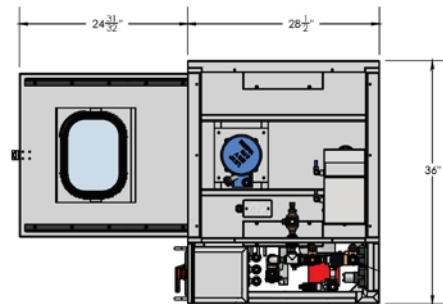
*CW - Required if drain discharge cool-down package ordered

Model	Standard Chamber Size W x H x D	Standard Unit Size W x H x D	Door Type
SW3610GWD	22" x 22" x 24"	36" x 73" x 29"	Drop Down Door

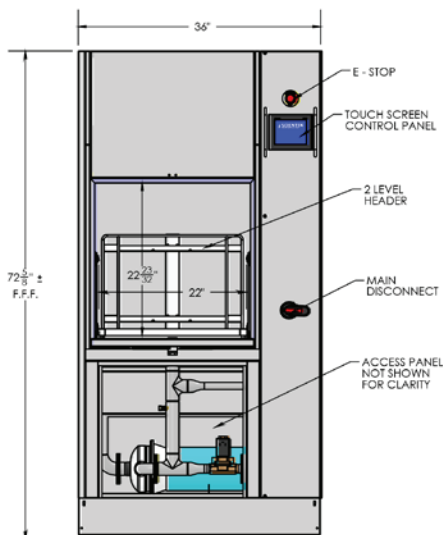
Representative Drawings



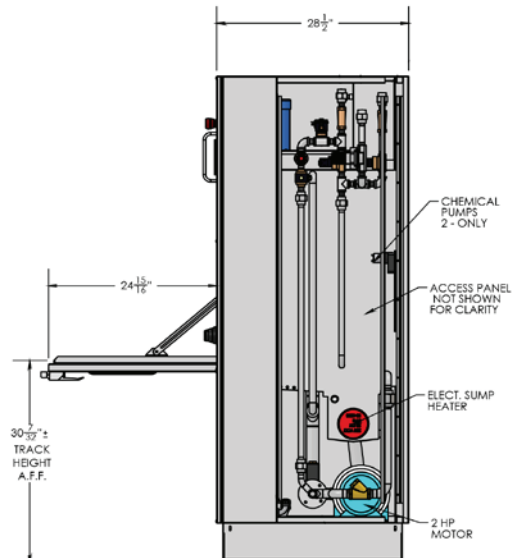
Top View



Front View



Side View



SW3610GWD Glassware Washer Dryer Sell Sheet_M1084_1.00 2021-1118